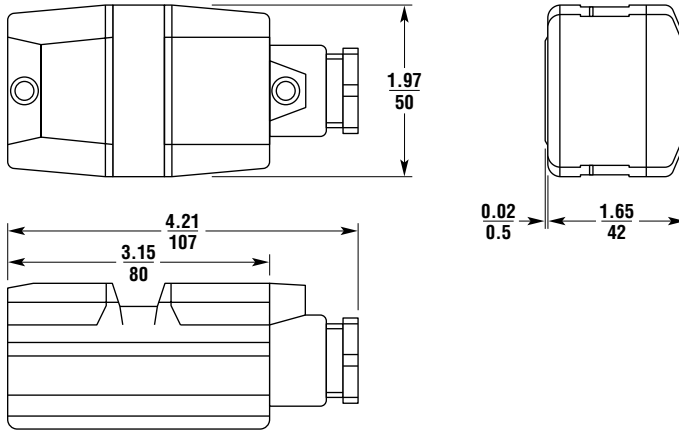




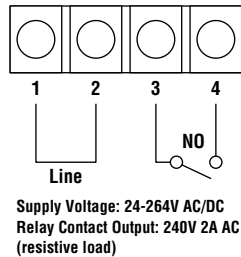
■ Specifications

<b>Performance</b>
<b>Operation Characteristics</b>
<b>Sensitivity Adjustment:</b> By offset and gain trim potentiometers
<b>Operation Indication:</b> (4) LEDs (Red - detection of noise. Four red - relay will trip)
<b>Alarm Output:</b> Relay contact rating: 240 V 2 A AC; 30 V 2 A DC (resistive)
<b>Electrical</b>
<b>Supply Voltage:</b> 22 VDC to 264 VAC inclusive (50/60 Hz AC) Withstand Voltage 1500 VAC for 1 min. (between line and output) Insulation Resistance 500 VDC, 100 m ohm (between line and output)
<b>Power Consumption:</b> Approx. 2.5 VA (at 100 VAC)
<b>Physical</b>
<b>Material:</b> ABS, Polycarbonate PC
<b>Mounting:</b> (2) straps or screws
<b>Wiring:</b> PF1/2 cable gland
<b>Rating:</b> IP54/NEMA 12
<b>Environmental</b>
<b>Operating Temperature Range:</b> 14 to 158°F (-10 to 70°C)
<b>Operational Humidity:</b> 5 to 85% RH
<b>Shock Resistance:</b> 60 to 2000 Hz, 10 g
Specifications are subject to change without notice.

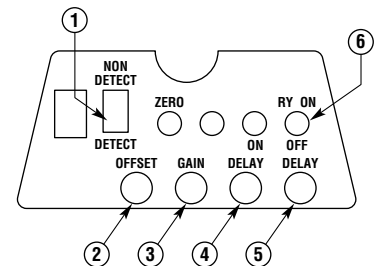
■ Dimensions — in./mm



■ Wiring



Calibration



■ Ordering Information

Configuration	ACF -
<b>10</b>	Flow Sensor, Standard Duty