

# Stainless Steel Vertical Float Switches Series: FS-400



Series FS-400 Stainless Steel Vertical Float Switches are durable float switches with a wide range of usage and applications. Their compact size, less than 3.5" from top of threads to end of stem, all stainless steel wetted materials, and user-reversible switch orientation, make them any easy choice for OEM, water and wastewater, and chemical applications.

## Features

- Compact size
- Reliability/long switch life
- Shock resistive construction
- Can be used in a wide range of liquids
- Operating temperatures up to 500° F (260° C)
- Switch rated for 24 & 120 VDC; 120 & 240 VAC



# FS-400 Specifications

Series

FS-400

Model

FS-400-S

FS400-HT

Switch action for the FS-400 is reversible.  
Standard is NO, user reversible for NC.

## Performance

Pressure Rating	200 psi (13.8 bar)	500 psi (34.5 bar)
Minimum S.G.	0.6	0.6

## Environmental

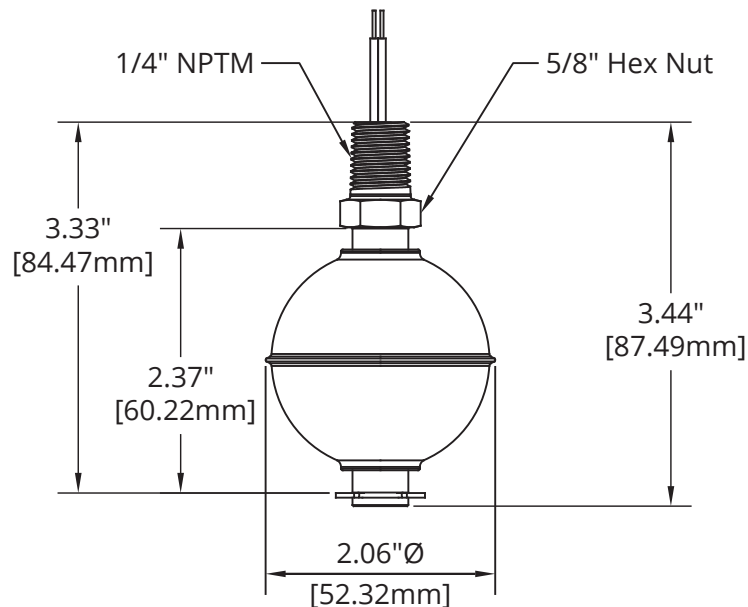
Operating Temp.	-40° to 383°F (-40° to 195°C)	14° to 500°F (-40° to 260°C)
Liquids	Chemicals, Food, Potable Water	

## Electrical

Switch Rating		
Max Capacity	60 W	
Nominal Current (AC)	240 VAC: 0.4A; 120 VAC: 0.5A	
Nominal Current (DC)	120 VDC: 0.2A; 24 VDC: 0.5A	
Life Expectancy	10 <sup>7</sup> (# of actuations)	
Lead Wires	#22 AWG, Teflon 24 - 99 in. (610 - 2515 mm)	

## Physical

Material	
Stem	316L SS
Float	316L SS
Retainer	15-7 SS
Mounting	Vertical



# Common Model Configurations

Model Number	Model Description
FS-400-S-M1-M1-0.6-P0-24	Stainless Steel Stem and Float, <b>Standard Temperature</b> , 0.6 SG, 1/4" NPTM, <b>24" Wires</b>
FS-400-HT-M1-M1-0.6-P0-24	Stainless Steel Stem and Float, <b>High Temperature</b> , 0.6 SG, 1/4" NPTM, <b>24" Wires</b>
FS-400-S-M1-M1-0.6-P0-36	Stainless Steel Stem and Float, <b>Standard Temperature</b> , 0.6 SG, 1/4" NPTM, <b>36" Wires</b>
FS-400-HT-M1-M1-0.6-P0-36	Stainless Steel Stem and Float, <b>High Temperature</b> , 0.6 SG, 1/4" NPTM, <b>36" Wires</b>
FS-400-S-M1-M1-0.6-P0-48	Stainless Steel Stem and Float, <b>Standard Temperature</b> , 0.6 SG, 1/4" NPTM, <b>48" Wires</b>
FS-400-HT-M1-M1-0.6-P0-48	Stainless Steel Stem and Float, <b>High Temperature</b> , 0.6 SG, 1/4" NPTM, <b>48" Wires</b>

---

# Model Configuration Options



Model Number: FS-400 -        - M1 - M1 - 0.6 - P0 -         
                                  A      B      C      D      E      F

## A. Operating Temperature

- S**▲ Standard Range (-40 - 195°C)
- HT** High Temperature Range (-40 - 260°C)

## B. Stem Material

- M1**▲ 316 Stainless Steel

## C. Float Material

- M1**▲ 316 Stainless Steel

## D. Float Specific Gravity

- 0.6**▲ 0.6 Specific Gravity

## E. Fitting Type

- P0**▲ 1/4" NPTM

## F. Wire Length

- Wire Length in Inches (24 - 99)