

Miniature Stainless Steel Vertical Float Switches Series: FS-410



Series FS-410 Miniature Stainless Steel Vertical Float Switches are proof that excellence comes in small packages. Their compact size, less than 2.35" from top of threads to end of stem, all stainless steel wetted materials, and user-reversible switch orientation, make them any easy choice for OEM, water and wastewater, and chemical applications.

Features

- Extremely compact size
- Reliability/long switch life
- Shock resistive construction
- Can be used in a wide range of liquids
- Operating temperatures up to 500° F (260° C)
- Switch rated for 24 & 120 VDC; 120 & 240 VAC



FS-410 Specifications

Series

FS-410

Model

FS-410-S

FS-410-HT

Switch action for the FS-410 is reversible.
Standard is NO, user reversible for NC.

Performance

Pressure Rating	300 psi (20.7 bar)
Minimum S.G.	0.7

Environmental

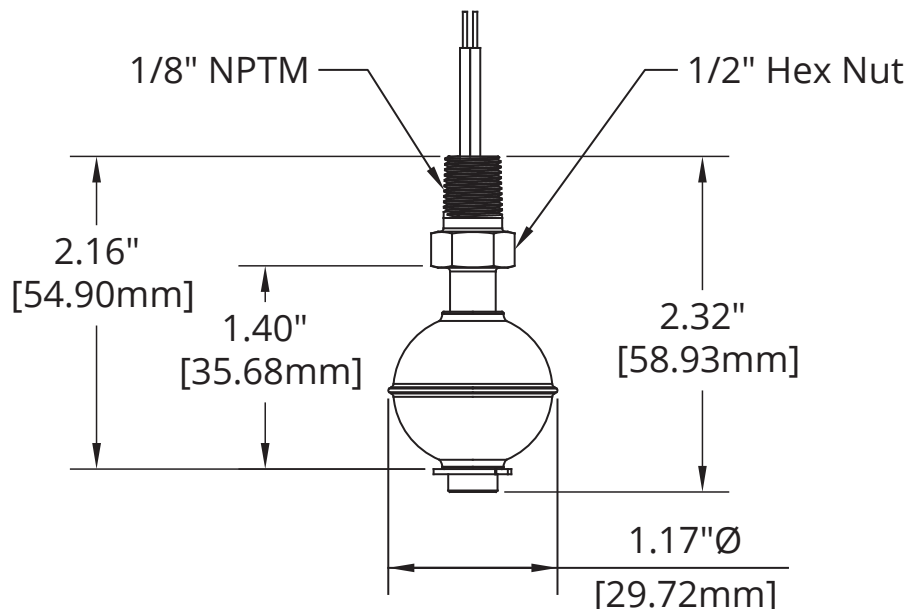
Operating Temp.	-40° to 383°F (-40° to 195°C)	14° to 500°F (-40° to 260°C)
Liquids	Chemicals, Food, Potable Water	

Electrical

Switch Rating		
Max Capacity	30 W	
Nominal Current (AC)	240 VAC: 0.14A; 120 VAC: 0.28A	
Nominal Current (DC)	120 VDC: 0.07A; 24 VDC: 0.28A	
Life Expectancy	10 ⁷ (# of actuations)	
Lead Wires	#22 AWG, Teflon 24 - 99 in. (610 - 2515 mm)	

Physical

Material		
Stem	316L SS	
Float	316L SS	
Retainer	15-7 SS	
Mounting	Vertical	



Common Model Configurations

Model Number	Model Description
FS-410-S-M1-M1-0.7-P14-24	Stainless Steel Stem and Float, Standard Temperature , 0.7 SG, 1/8" NPTM, 24" Wires
FS-410-HT-M1-M1-0.7-P14-24	Stainless Steel Stem and Float, High Temperature , 0.7 SG, 1/8" NPTM, 24" Wires
FS-410-S-M1-M1-0.7-P14-36	Stainless Steel Stem and Float, Standard Temperature , 0.7 SG, 1/8" NPTM, 36" Wires
FS-410-HT-M1-M1-0.7-P14-36	Stainless Steel Stem and Float, High Temperature , 0.7 SG, 1/8" NPTM, 36" Wires
FS-410-S-M1-M1-0.7-P14-48	Stainless Steel Stem and Float, Standard Temperature , 0.7 SG, 1/8" NPTM, 48" Wires
FS-410-HT-M1-M1-0.7-P14-48	Stainless Steel Stem and Float, High Temperature , 0.7 SG, 1/8" NPTM, 48" Wires

Model Configuration Options



Model Number: FS-410 - - M1 - M1 - 0.7 - P14 -
 A B C D E F

A. Operating Temperature

- S**▲ Standard Range (-40 - 195°C)
- HT** High Temperature Range (-40 - 260°C)

B. Stem Material

- M1**▲ 316 Stainless Steel

C. Float Material

- M1**▲ 316 Stainless Steel

D. Float Specific Gravity

- 0.7**▲ 0.7 Specific Gravity

E. Fitting Type

- P14**▲ 1/8" NPTM

F. Wire Length

- Wire Length in Inches (24 - 99)