

0.5% Industrial Pressure Transmitter Series PT-200



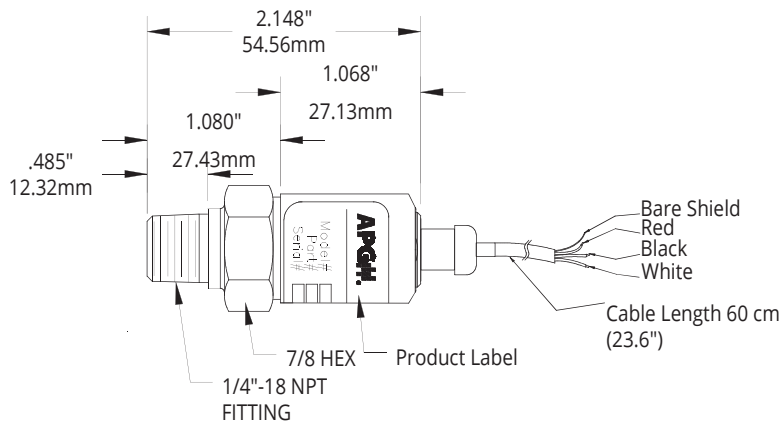
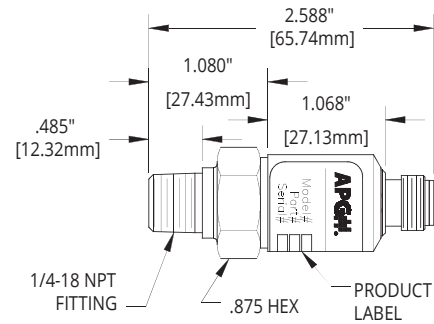
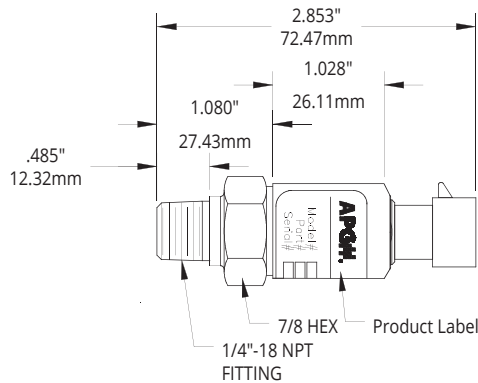
Series PT-200 0.5% Industrial Pressure Transmitters are rugged, general purpose sensors that offer reliable and accurate measurements under harsh conditions. The sensor fitting is machined from a solid piece of 17-4PH SS to provide stable operation when subjected to shock and vibration. PT-200s also incorporate digital compensation and temperature correction for high accuracy and stability.

Features

- Cost effective
- High overpressure capability
- Single piece stainless steel process fitting and sensor
- Choice of three common electrical connections



PT-200 Specifications



Performance

- Accuracy
0.5% BSFL
- Stability - Thermal Shift
Zero: $\pm 0.01\%$ FSO/ $^{\circ}\text{C}$ ($\pm 0.02\%$ FSO/ $^{\circ}\text{F}$)
Span: $\pm 0.02\%$ FSO/ $^{\circ}\text{C}$ ($\pm 0.04\%$ FSO/ $^{\circ}\text{F}$)
- Stability - Long Term
 $< \pm 0.5\%$ FSO/year
- Overpressure: 2x full scale
- Burst pressure: 3.5x full scale

Electrical

- Supply Voltage: 9 - 32 VDC
- Loop Resistance: $< 100 \Omega$
- Current Draw: $< 30 \text{ mA}$

Physical

- Wetted Materials: 17-4PH SS
- Process Connection: 1/4" - 18 Male NPT

Environmental

- Operating Temp: -10° to 100°C (14° to 212°F)
- Compensated Temp: 0° to 85°C (32° to 185°F)
- Storage Temp: -20 to 125°C (-4 to 257°F)
- Enclosure Protection: IP65

Common Model Configurations

4-20 mA Output, 1/4" Male NPT, 17-4PH SS

Model Number	Model Description
PT-200-L1-100PSIG-E5-P0	0-100 PSI , Gauge Pressure Reference, 2 ft. (60 cm) cable
PT-200-L1-250PSIG-E5-P0	0-250 PSI , Gauge Pressure Reference, 2 ft. (60 cm) cable
PT-200-L1-500PSIG-E5-P0	0-500 PSI , Gauge Pressure Reference, 2 ft. (60 cm) cable
PT-200-L1-1000PSIG-E5-P0	0-1,000 PSI , Gauge Pressure Reference, 2 ft. (60 cm) cable
PT-200-L1-2500PSIG-E5-P0	0-2,500 PSI , Gauge Pressure Reference, 2 ft. (60 cm) cable
PT-200-L1-5000PSIG-E5-P0	0-5,000 PSI , Gauge Pressure Reference, 2 ft. (60 cm) cable
PT-200-L1-10000PSIG-E5-P0	0-10,000 PSI , Gauge Pressure Reference, 2 ft. (60 cm) cable
PT-200-L1-100PSIG-E51-P0	0-100 PSI , Gauge Pressure Reference, Packard Connector
PT-200-L1-250PSIG-E51-P0	0-250 PSI , Gauge Pressure Reference, Packard Connector
PT-200-L1-500PSIG-E51-P0	0-500 PSI , Gauge Pressure Reference, Packard Connector
PT-200-L1-1000PSIG-E51-P0	0-1,000 PSI , Gauge Pressure Reference, Packard Connector
PT-200-L1-2500PSIG-E51-P0	0-2,500 PSI , Gauge Pressure Reference, Packard Connector
PT-200-L1-5000PSIG-E51-P0	0-5,000 PSI , Gauge Pressure Reference, Packard Connector
PT-200-L1-10000PSIG-E51-P0	0-10,000 PSI , Gauge Pressure Reference, Packard Connector

Accessories

Please order separately, by part number.

Description	Part Number
3-pin Packard Connector with 3 ft. Cable	122991-0008
3-pin Packard Connector with 9 ft. Cable	122991-0009
3-pin Packard Connector with 18 ft. Cable	122991-0010

Model Configuration Options



Model Number: PT-200 - - - -
 A B C D E

A. Output

- L1** 4-20 mA

B. Common Pressure Ranges

- 100** **250** **500** **2500** **10000**
- 200** **300** **1000** **5000**

C. Unit of Measure

- PSIG** Gauge

D. Electrical Connection

- E4** M12 Connector
- E5** Pigtail with 2 ft. (60 cm) of cable
- E51** Packard Connector

E. Process Connection

- P0** 1/4"-18 NPTM