

Stainless Steel Vertical Float Switches Series: FS-400



Series FS-400 Stainless Steel Vertical Float Switches are durable float switches with CSA and NSF certifications and a wide range of applications. Their compact size -- less than 3.5" from top of threads to end of stem -- all stainless steel wetted materials, and user-reversible switch orientation, make them an easy choice for OEM, water and wastewater, and chemical applications.

Features

- Compact size
- Reliability/long switch life
- Shock resistive construction
- Can be used in a wide range of liquids
- Operating temperatures up to 500° F (260° C)
- Switch rated for 100 W
- NSF 169 certified
- CSA Explosion Proof (Standard Temp) and General Use (High Temp)



FS-400 Specifications

Series

FS-400

Model

FS-400-S

FS-400-HT

Switch action for the FS-400 is reversible.
Standard is NO, user reversible for NC.

Performance

Pressure Rating	200 psi (13.8 bar)	500 psi (34.5 bar)
Maximum S.G.	0.6	
N.O. Actuation	0.220" ± 0.05" (5.59 mm ± 1.27 mm)	
N.C. Actuation	0.160" ± 0.05" (4.06 mm ± 1.27mm)	
Hysteresis	0.070" ± 0.02" (1.78 mm ± .51 mm)	

Environmental

Operating Temp.	-40° to 368°F (-40° to 187°C)	-40° to 500°F (-40° to 260°C)
Liquids	Chemicals, Food, Potable Water	

Electrical

Switch Rating		
Max Capacity	100 W (resistive load only)	
Max Current (AC, 50/60 Hz)	240 VAC: 0.416 A; 120 VAC: 0.833 A; ≤ 100 VAC: 1 A	
Max Current (DC)	120 VDC: 0.833 A; ≤ 100 VDC: 1 A	
Life Expectancy	10 ⁶ - 10 ⁸ (# of actuations; dependant on electrical load)	
Lead Wires	#22 AWG, PTFE 24 - 99 in. (610 - 2515 mm)	

Physical

Material		
Stem	316L SS	
Float	316L SS	
Retainer	316L SS	
Mounting	Vertical	

Certification

CSA/cCSAus Contract #237484	Explosion Proof	General Use
	Class I, Div 1 & 2, Groups A, B,C, & D, T3	--
	Class II, Div. 1, Groups E, F, T200°C	--
	Class II, Div. 2, Groups F, G, T200°C	--
	Class III	--
	Ta -40° C to 187° C	--
	Single Seal	
NSF 169	Yes	
Enclosure Rating	NEMA 4X	

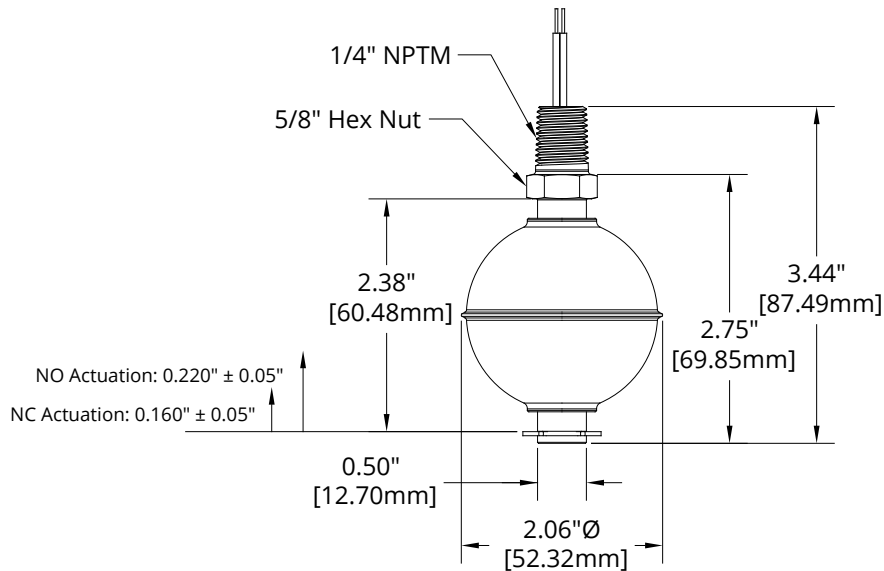
Common Model Configurations

Model Number	Model Description
FS-400-S-M1-M1-0.6-P0-24	Stainless Steel Stem and Float, Standard Temperature , 0.6 SG, 1/4" NPTM, 24" Wires
FS-400-HT-M1-M1-0.6-P0-24	Stainless Steel Stem and Float, High Temperature , 0.6 SG, 1/4" NPTM, 24" Wires
FS-400-S-M1-M1-0.6-P0-36	Stainless Steel Stem and Float, Standard Temperature , 0.6 SG, 1/4" NPTM, 36" Wires
FS-400-HT-M1-M1-0.6-P0-36	Stainless Steel Stem and Float, High Temperature , 0.6 SG, 1/4" NPTM, 36" Wires
FS-400-S-M1-M1-0.6-P0-48	Stainless Steel Stem and Float, Standard Temperature , 0.6 SG, 1/4" NPTM, 48" Wires
FS-400-HT-M1-M1-0.6-P0-48	Stainless Steel Stem and Float, High Temperature , 0.6 SG, 1/4" NPTM, 48" Wires

FS-400 Replacements / Accessories

Please order separately, by part number.

Description	Part Number
2" Float, 316 SS, Standard Temp; Quantity 5	200326
2" Float, 316 SS, High Temp; Quantity 5	200327
E clip, 316 SS; Quantity 20	200328



Model Configuration Options



Model Number: FS-400 - - M1 - M1 - 0.6 - P0 -
 A B C D E F

A. Operating Temperature

- S**[▲] Standard Range (-40 - 187°C)
- HT** High Temperature Range (-40 - 260°C)*

B. Stem Material

- M1**[▲] 316 Stainless Steel

C. Float Material

- M1**[▲] 316 Stainless Steel

D. Float Specific Gravity

- 0.6**[▲] 0.6 Specific Gravity

E. Fitting Type

- P0**[▲] 1/4" NPTM

F. Wire Length

- Wire Length in Inches (24 - 99)

Note: *Indicates this option is only available with CSA General Purpose ratings.