

Amplified Output Industrial Pressure Transducers

Series: PT-L1/L3/L10



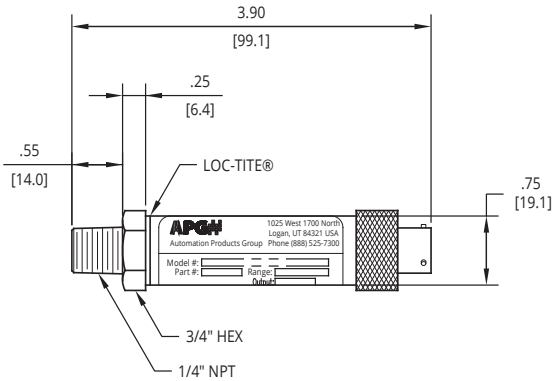
Our amplified output pressure transmitters are the economical answer for all applications requiring high accuracy and reliability over a wide range of pressures. The PT-L1/L3/L10 pressure transmitters offer ranges from vacuum to 10,000 psi, all stainless steel construction, high burst pressure, and high accuracy.

Features

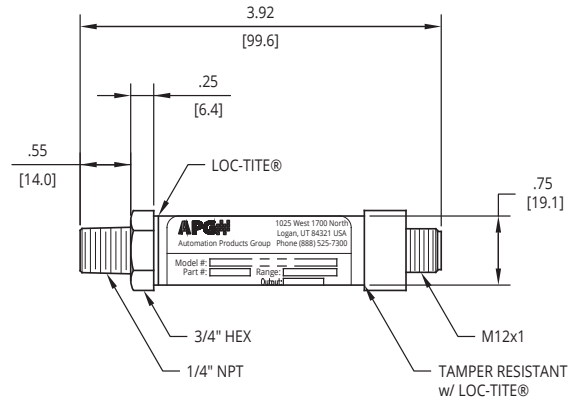
- Cost effective
- High overpressure capability
- Zero and span adjustments
- Single piece stainless steel process fitting and sensor



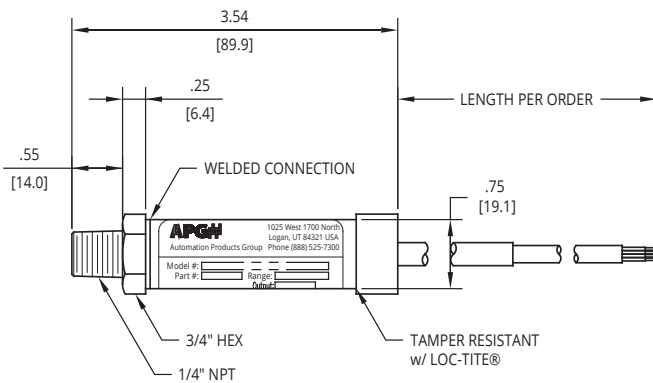
PT-L1/L3/L10 Specifications



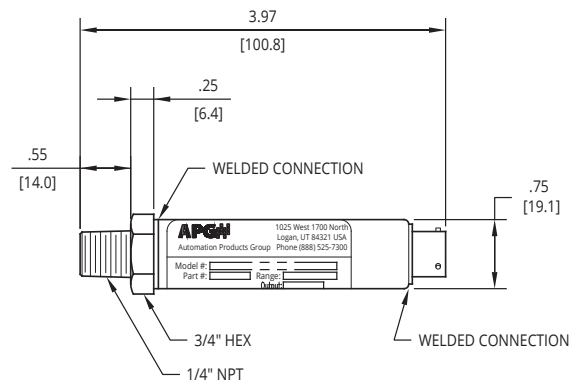
K0, E3 - KNURLED NUT, 4-PIN BAYONET
4-PIN BAYONET w/ KNURLED NUT
CAN - PROCESS CONNECTION w/ LOC-TITE®



K1, E4 - TAMPER RESISTANT NUT, 4-PIN M12
EUROFAST M12 w/ TAMPER RESISTANT NUT & LOC-TITE®
CAN - PROCESS CONNECTION w/ LOC-TITE®



K2, E5 - TAMPER RESISTANT NUT, PIGTAIL
CABLE PIGTAIL w/ TAMPER RESISTANT NUT & LOC-TITE®
CAN - PROCESS CONNECTION WELDED



K3, E3 - WELDED 4-PIN BAYONET
4-PIN BAYONET, WELDED CONNECTION
CAN - PROCESS CONNECTION WELDED

Performance

- Accuracy
B.F.S.L. $\leq 0.25\%$ of full scale
NIST up to $\pm 0.1\%$ available on select ranges
- Temp Compensation Range:
Up to $0^\circ - 130^\circ\text{F}$ ($-17^\circ - 54^\circ\text{C}$)
- Extended Temp Compensation Ranges: (Optional)
 $-40^\circ - 180^\circ\text{F}$ ($-40^\circ - 82^\circ\text{C}$)
 $0^\circ - 185^\circ\text{F}$ ($-17^\circ - 85^\circ\text{C}$)

Connectivity

- Output:
4-20 mA
0-5 VDC
1-5 VDC
1-6 VDC
0-10 VDC
- Internet Connectivity:
RST-5003 (4-20 mA version only)

Electrical

- Supply Voltage:
4-20 mA: 10 - 36 VDC
0-5 VDC: 9 - 33 VDC
1-5 VDC: 9 - 33 VDC
1-6 VDC: 9 - 33 VDC
0-10 VDC: 14 - 33 VDC
- Electrical Protection:
Reverse polarity

Physical

- Material: 15-5, 17-4, or 316L SS

Programming

- Field Calibration:
Zero and Span adjust

Common Model Configurations

4-20 mA Output

Model Number	Model Description
PT-L1-C-15-PSIA-E5-5-P0-N0-M1-V0-K0-S0	0-15 PSI, Absolute Pressure Reference, 1/4" NPTM, 316L SS, 5 ft. cable
PT-L1-C-60-PSIA-E5-5-P0-N0-M1-V0-K0-S0	0-60 PSI, Absolute Pressure Reference, 1/4" NPTM, 316L SS, 5 ft. cable
PT-L1-C-5-PSIG-E5-5-P0-N0-M1-V0-K0-S0	0-5 PSI, Gauge Pressure Reference, 1/4" NPTM, 316L SS, 5 ft. cable
PT-L1-C-30-PSIG-E5-5-P0-N0-M1-V0-K0-S0	0-30 PSI, Gauge Pressure Reference, 1/4" NPTM, 316L SS, 5 ft. cable
PT-L1-C-100-PSIG-E5-5-P0-N0-M1-V0-K0-S0	0-100 PSI, Gauge Pressure Reference, 1/4" NPTM, 316L SS, 5 ft. cable
PT-L1-C-50-PSICG-E5-5-P0-N0-M1-V0-K0-S0	0-50 PSI, Compound Gauge Reference, 1/4" NPTM, 316L SS, 5 ft. cable
PT-L1-C-500-PSICG-E5-5-P0-N0-M1-V0-K0-S0	0-500 PSI, Compound Gauge Reference, 1/4" NPTM, 316L SS, 5 ft. cable
PT-L1-C-1000-PSIS-E5-5-P0-N0-M2-V0-K0-S0	0-1,000 PSI, Sealed Gauge Reference, 1/4" NPTM, 17-4 SS, 5 ft. cable
PT-L1-C-5000-PSIS-E5-5-P0-N0-M2-V0-K0-S0	0-5,000 PSI, Sealed Gauge Reference, 1/4" NPTM, 17-4 SS, 5 ft. cable
PT-L1-C-10000-PSIS-E5-5-P0-N0-M2-V0-K0-S0	0-10,000 PSI, Sealed Gauge Reference, 1/4" NPTM, 17-4 SS, 5 ft. cable

Accessories

Please order separately, by part number.

Mating Connector	Part Number	Cable in Feet Part Number Suffix		Cable Lengths
		mA Output	VDC Output	
4-pin bayonet mating connector (E3)	509010	-10xx	-20xx	02, 05, 10, 25
4-pin female (M12) mating connector (E4)*	--	135407-000x		2 meters, 5 meters
6-pin circular mating connector (E1)	509110	-10xx	-20xx	02, 05, 10, 25
6-pin bayonet mating connector (E17)	509165	-10xx	-20xx	02, 05, 10, 25

*Note: 4-pin female (M12) must be ordered with 2 or 5 **meters** of cable. It is not available as mating connector only.

